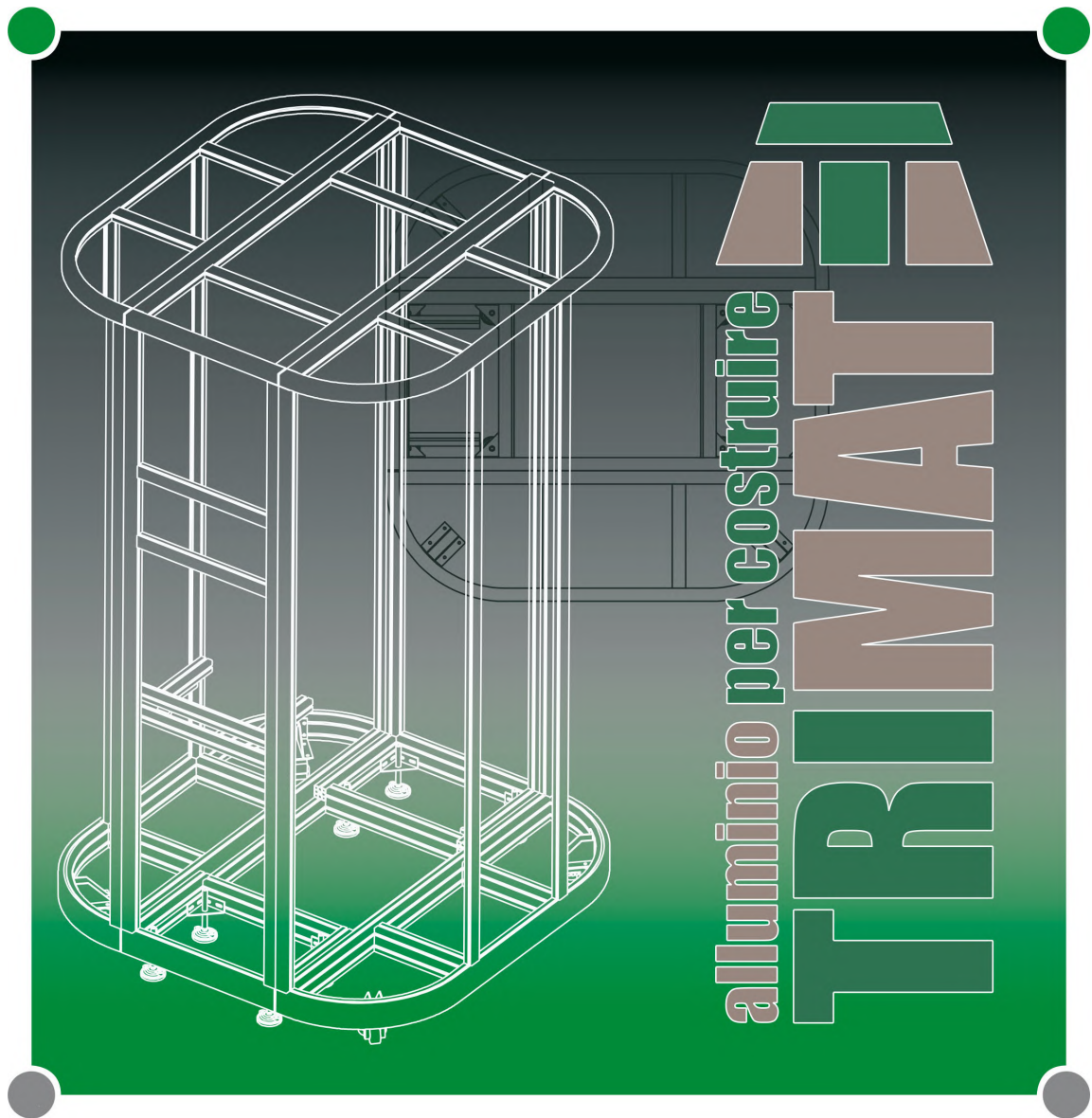


CATALOG - 2019/07/A

GEARED MOTORS



Structural aluminum profiles and accessories dedicated

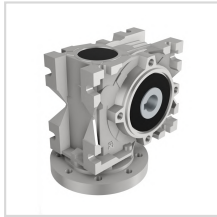
Safety guards for machinery and perimeter barriers
Belt and chain conveyors - Idle and motorized roller conveyors
Frameworks for special machines and work tables

TRIMAT SRL
www.trimatsrl.it

It's prohibited by law the total or partial reproduction of this catalog without the written consent of TRIMAT SRL.

TRIMAT SRL reserves the right to modify without notice the characteristics of the items in the catalog in accordance with the evolution of the product.

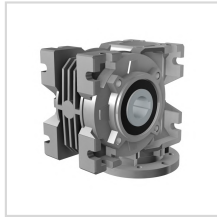




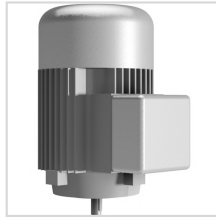
T1307



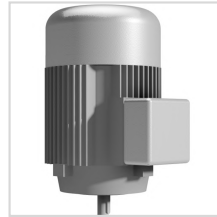
T1405



T1505



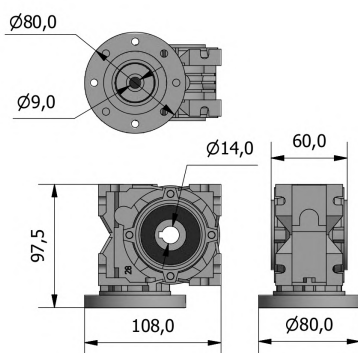
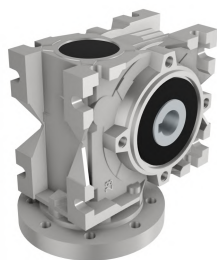
T8624



T8744

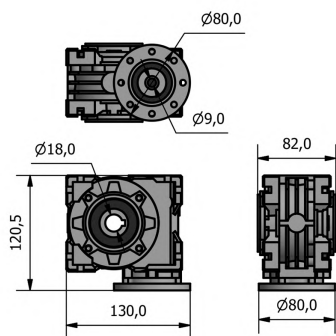
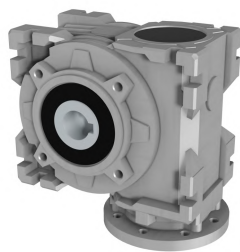


T9010

GEAR 028 - 63B14 AC14 - 7/1


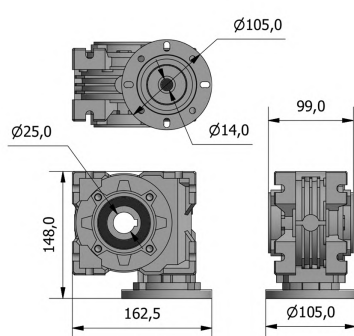
CODE	T1307
COMMERCIAL INFO	On demand import version compatible NMRV

OPTIONS	
T1310	GEAR 028 - 63B14 AC14 - 10/1
T1315	GEAR 028 - 63B14 AC14 - 15/1
T1320	GEAR 028 - 63B14 AC14 - 20/1
T1328	GEAR 028 - 63B14 AC14 - 28/1
T1340	GEAR 028 - 63B14 AC14 - 40/1
T1349	GEAR 028 - 63B14 AC14 - 49/1
T1356	GEAR 028 - 63B14 AC14 - 56/1
T1370	GEAR 028 - 63B14 AC14 - 70/1
T1380	GEAR 028 - 63B14 AC14 - 80/1
T1399	GEAR 028 - 63B14 AC14 - 100/1

GEAR 040 - 63B14 AC18 - 5/1


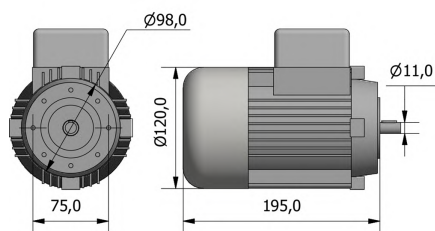
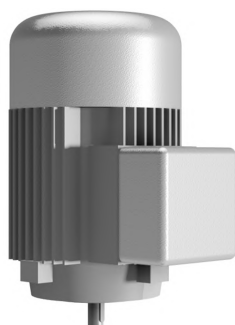
CODE	T1405
COMMERCIAL INFO	On demand import version compatible NMRV

OPTIONS	
T1407	GEAR 040 - 63B14 AC18 - 7/1
T1410	GEAR 040 - 63B14 AC18 - 10/1
T1415	GEAR 040 - 63B14 AC18 - 15/1
T1420	GEAR 040 - 63B14 AC18 - 20/1
T1428	GEAR 040 - 63B14 AC18 - 28/1
T1440	GEAR 040 - 63B14 AC18 - 40/1
T1449	GEAR 040 - 63B14 AC18 - 49/1
T1456	GEAR 040 - 63B14 AC18 - 56/1
T1470	GEAR 040 - 63B14 AC18 - 70/1
T1480	GEAR 040 - 63B14 AC18 - 80/1
T1499	GEAR 040 - 63B14 AC18 - 100/1

GEAR 050 - 71B14 AC25 - 5/1


CODE	T1505
COMMERCIAL INFO	On demand import version compatible NMRV

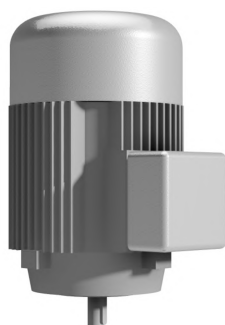
OPTIONS	
T1507	GEAR 050 - 71B14 AC25 - 7/1
T1510	GEAR 050 - 71B14 AC25 - 10/1
T1515	GEAR 050 - 71B14 AC25 - 15/1
T1520	GEAR 050 - 71B14 AC25 - 20/1
T1528	GEAR 050 - 71B14 AC25 - 28/1
T1540	GEAR 050 - 71B14 AC25 - 40/1
T1549	GEAR 050 - 71B14 AC25 - 49/1
T1556	GEAR 050 - 71B14 AC25 - 56/1
T1570	GEAR 050 - 71B14 AC25 - 70/1
T1580	GEAR 050 - 71B14 AC25 - 80/1
T1599	GEAR 050 - 71B14 AC25 - 100/1

MOTOR 63B14 - KW 0.12 - 4P


CODE	T8624
CHARACTERISTICS	3 phase 380 / 400 V - 50 HZ
COMMERCIAL INFO	On demand 2 o 6 poli / single phase 220/230V

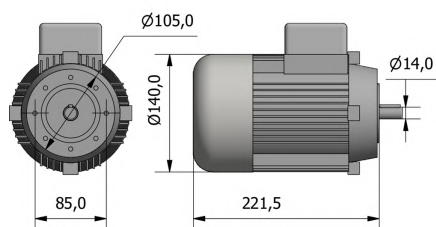
OPTIONS	
T8634	MOTOR 63B14 - KW 0.18 - 4P
T8644	MOTOR 63B14 - KW 0.25 - 4P

MOTOR 71B14 - KW 0.25 - 4P



CODE	T8744
CHARACTERISTICS	3 phase 380 / 400 V - 50 HZ
COMMERCIAL INFO	On demand 2 o 6 poli / single phase 220/230V

OPTIONS	
T8754	MOTOR 71B14 - KW 0.37 - 4P



START / STOP CONTROL PANEL

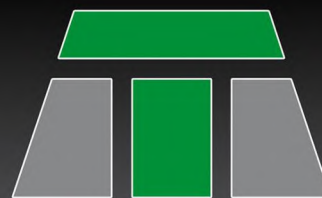
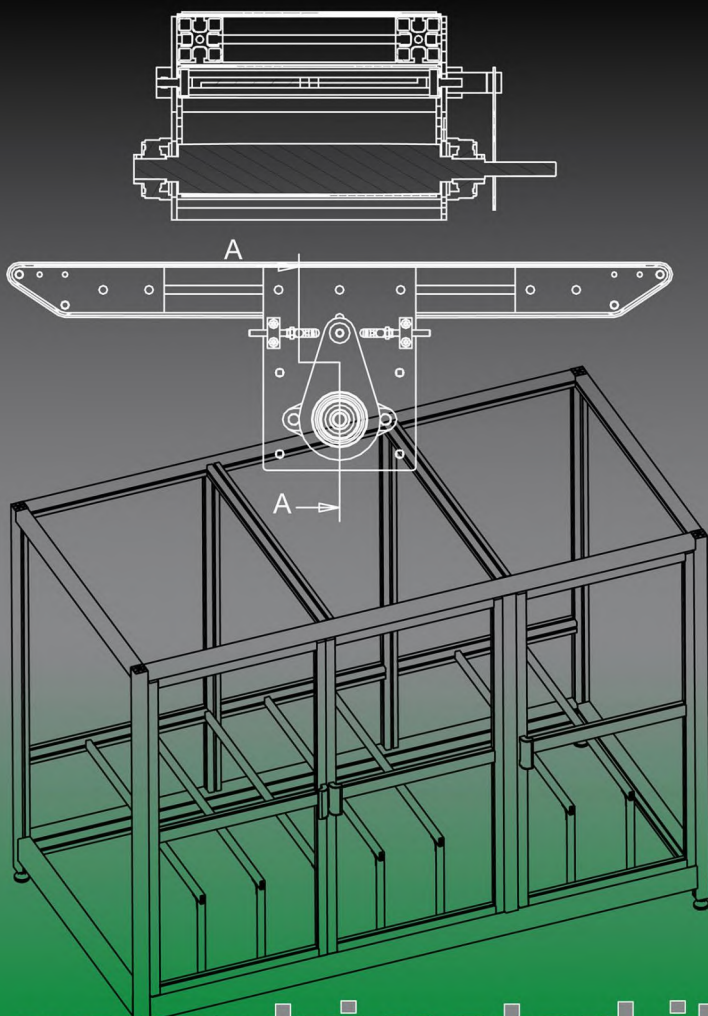


CODE	T9010
-------------	-------

TRIMAT SRL
www.trimatsrl.it

PDF generated automatically
by software www.zetanetweb.com





alluminio per costruire
TRIMAT

www.trimatsrl.it

TRIMAT SRL

Via L. Da Vinci 15 - 23897 Viganò

Lecco - Italia

Tel +39.0341.286338 - Fax +39.039.2124929

export@trimatsrl.it - www.trimatsrl.it